

Specification Sheet for WS2811 Digital LED Flexible Strips

Model: F5050X15-D-5/F5050A30-D-5

Applications:

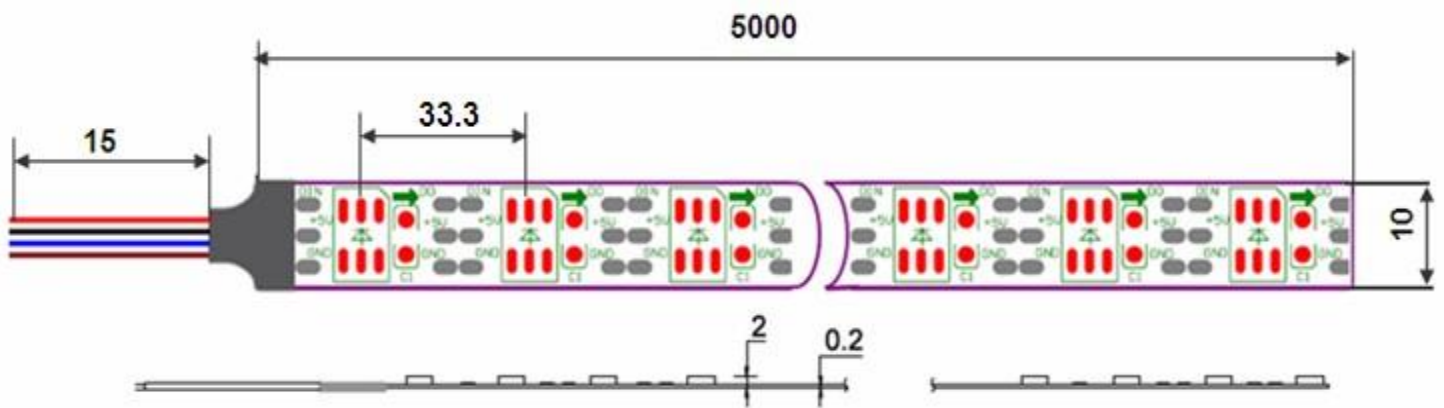
- ◆ Car decoration
- ◆ Architectural decorative lighting
- ◆ Archway, canopy and bridge edge lighting
- ◆ Auditorium walkway lighting
- ◆ Backlighting for signage letters
- ◆ Channel letter lighting

Product features:

- ◆ Various angle 120degrees
- ◆ With self-adhesive tape on backside
- ◆ Made of high quality LED
- ◆ Work Voitage: DC5V
- ◆ UL, CUL, CE, ROHS Approved

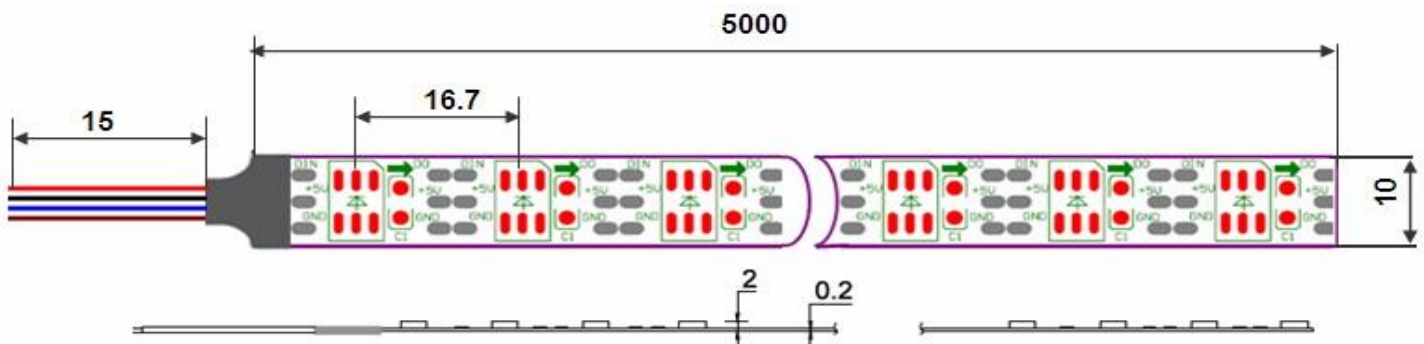


Dimensions of F5050A15-D-5



Dimensions of F5050A30-D-5

Unit: mm



Unit: mm

Specifications

Model No.	LED Qty	Work Voltage	Power	View Angle	Waterproof	Packing	Color	λ (Nm)/(CT:K)	Luminous Flux
F5050A15-D-5	SMD 5050 30/m	DC5V	9W/m	120°	IP20	5m/reel	Dream Color	620-630 455-470 510-525	40-50 100-110
F5050C15-D-5	SMD 5050 30/m	DC5V	9W/m	120°	IP67	5m/reel	Dream Color		35-45
F5050A30-D-5	SMD 5050 60/m	DC5V	18W/m	120°	IP20	5m/reel	Dream Color		40-50 100-110
F5050C30-D-5	SMD 5050 60/m	DC5V	18W/m	120°	IP67	5m/reel	Dream Color		35-45

WS2811 Controller T-1000S



WS2811 Digital Controller

Input: DC7.5V-24V or DC5V
 IC: WS2811
 Output: SPI signal
 Max Pixel 2048(One LED one Pixel)
 With SD Card

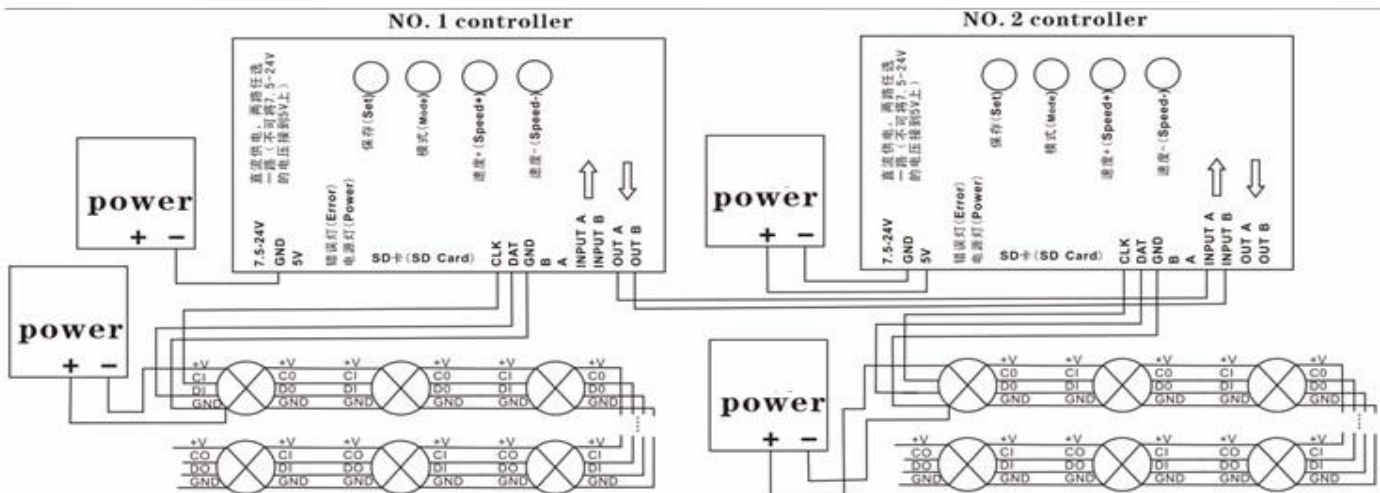
WS2811 Controller QL-CTLD-W



WS2811 Digital Controller

Input: DC12V
 IC: WS2811
 Output: SPI signal
 Max Pixel 2048(One LED one Pixel)

Connection Drawing



when the controller control less than 512 pixels the frame rate can reach 30fps,
 when control more than 512 pixels the frame rate will slow down automatically.

Notice:

Before application, please make sure the power supply is in accordance to the strips