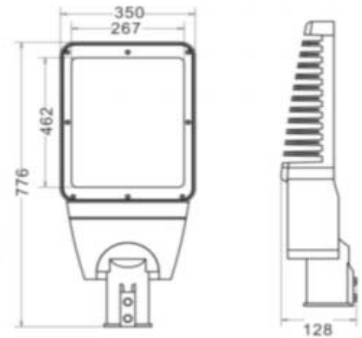


Accent Design Concepts

Y0801 LED STREET LIGHT

Catalog #		Prepared by	
Project		Date	
Notes			



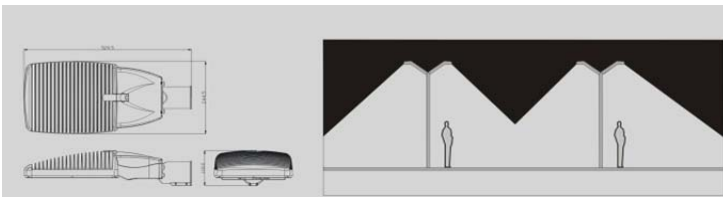
LED Street Light

Description

Y0801 is a new energy saving and environment protection luminaire designed from considering road lighting requirements and avoiding traditional lighting defects to protect a uniformity High efficiency lighting output and good uniformity.

Y0801 has many special characters including used high power CERR leds, heat super-conduct material designed and intelligent power control and so on. Which make Y0801 show very excellent performance in road lighting and it mainly designed for low power consuming which will be the best choose for your path, garden etc.

Lighting Effect



Product Features

- 1) Streamline configuration combining with LED fittings perfectly
- 2) Aesthetic outlook of the light is also special landscape for the city light
- 3) The streamline configuration can also help to shed deposit effectively and maintain a safe temperature which guarantees low level high depreciation and longer life span
- 4) Pressure die-cast aluminum alloy(ADC12) housing . guarantees IP65 with high intensity
- 5) Bat-wing photometric system accurately delivers

Order Matrix

A B C D E F

Item No.Y0801	
----------------------	--

A	Series
Y0801	LED Street Light

B	Material & Finish
B	Aluminum/black
W	Aluminum/white
BR	Aluminum/bronze
SV	Aluminum/Silver

C	Wattage
100*1.5	100*1.5W
120*1.5	120*1.5W
40*2	40*2W
60*2	60*2W
80*2	80*2W
90*2	90*2W

D	Length of Pole
6	6m
12	12m

LED STREET LIGHT



Accent Design Concepts, LLC.
Orlando, Florida 32824
Email: Sales@accentdesignconcepts.com

Website: www.accentdesignconcepts.com
Specifications subject to change w/o notice

Accent Design Concepts

Y0801 LED STREET LIGHT

Catalog #		Prepared by	LiteHarbor
Project		Date	
Notes			

rectangle light spot and insures uniform luminance with 40m interval.

- 6) The heat produced by the luminaries when working is effectively taken away by natural wind flow
- 7) Independent gear box has an upper cover simply and firmly locked by a rolling bar for easy installation and maintenance.
- 8) PC electroplated reflector with 95% efficiency
- 9) Horizontal or longitudinal arm installation
- 10) Original CREE leds with high lumen efficiency.
- 11) High light transmittance and constant color from superior temper glass diffuser.
- 12) Reliable diver with short protection,open-circuit protection and over-heat protection, ensuring 50000 hours life span.

E	Color Temperature(LED)
27K	2700K
30K	3000K
35K	3500K
60K	6000K

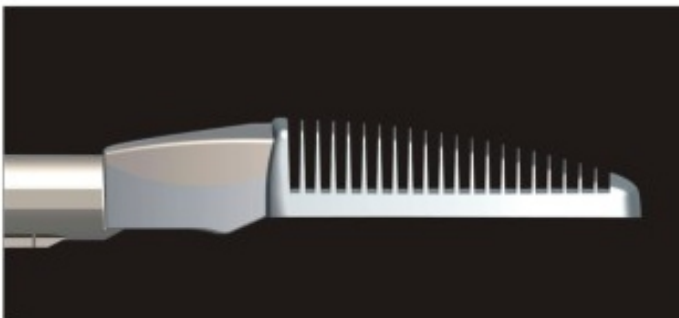
F	Available
EM	Emergency System

Other Special Requirements please Confirm with Factory

Heat dissipation

Cooling fins on camber back make surface area double.

Those fans are even designed to be along vehicles driving direction so that wind flow produced by vehicles can takes away the heat effectively and maintains a temperature raising under 23K.



LED STREET LIGHT



Accent Design Concepts, LLC.
Orlando, Florida 32824
Email: Sales@accentdesignconcepts.com

Website: www.accentdesignconcepts.com
Specifications subject to change w/o notice

Accent Design Concepts

Y0801 LED STREET LIGHT

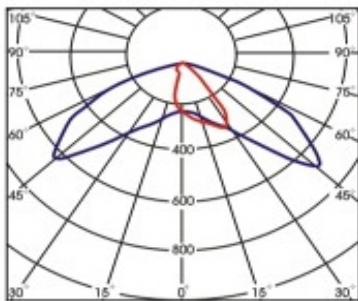
Catalog #		Prepared by	
Project		Date	
Notes			

Special gear box

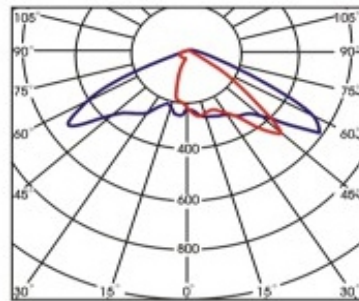
Special gear box an upper cover simply and firmly locked by a rolling bar easy installation and maintenance.



Light distribution curve



A



B

LEDS

Input Voltage: AC85-265V

Frequency: 47-63Hz

PF > 95%

THD < 15%

CREE

Luminous Efficiency > 95lm/w

Luminaire Efficiency > 80%

Working Temperature: -30°C - 50°C

Life time > 50000h

Wattage	Initial Luminous Flux	Constant Luminous Flux	System Consumption
100*1.5	14250lm	12525lm	170W
120*1.5	17100lm	16390lm	203W
40*2	6400lm	5760lm	90W
60*2	9600lm	8640lm	136W
80*2	12800lm	11520lm	181W

LED STREET LIGHT



Accent Design Concepts, LLC.

Orlando, Florida 32824

Email: Sales@accentdesignconcepts.com

Website: www.accentdesignconcepts.com

Specifications subject to change w/o notice