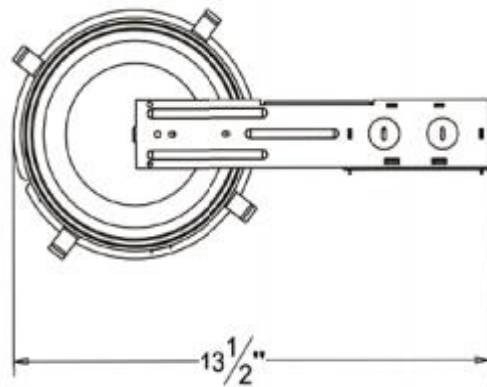
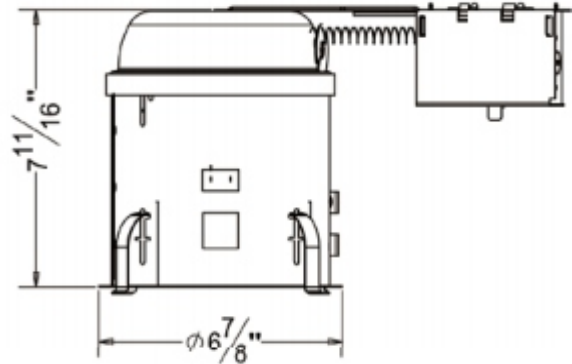


**A6-LRIA
6 inch Remodel IC Airtight LED
Housing**

Catalog #		Prepared by	
Project		Date	
Notes			



6 inch Remodel IC Airtight LED Housing

Housing

- 1) Die-formed aluminum for maximum heat dissipation and protection
- 2) Designed for New Construction installation
- 3) Housing can be installed in 1/2" to 1-3/8" thick ceilings.

Junction Box

- 1) ETL listed for through branch wiring
- 2) 2 in-2 out or 4 in-4 out J-box for your better choices
- 3) Designed for straight through conduit runs
- 4) 1/2" and 3/4" romex wiring knockouts

Connection

- 1) Polarity-specific EZ-connect system engineered to match with Liteharbor LED Retrofit Downlights.
- 2) Meets strict code requirement where Edison Base Sockets have been banned.

Listing

ETL listed for damp location W/Feed through

For Specific Order Matrix please take our LED Retrofit Downlight Cut Sheet for References.

Other Special requirement please confirm with factory

RECESSED DOWNLIGHT

