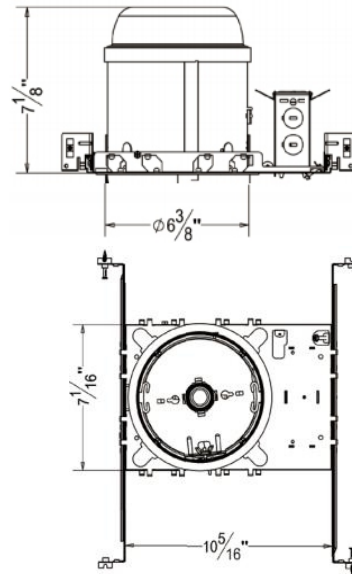
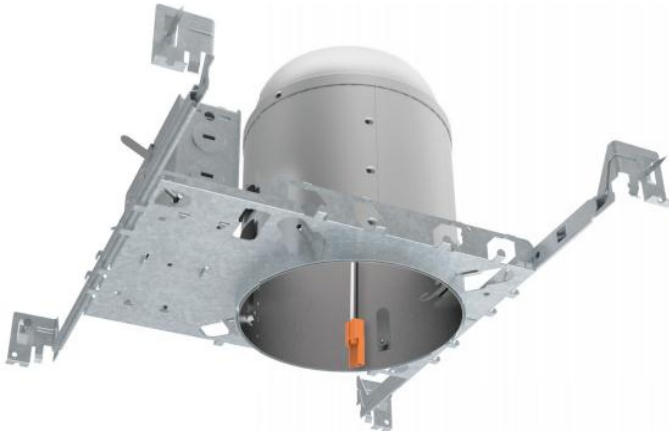


**A6-LIA
6 inch New Construction IC Airtight
LED Housing**

Catalog #		Prepared by	
Project		Date	
Notes			



6 inch New Construction IC Airtight LED Housing

Housing

- 1) Die-formed aluminum for maximum heat dissipation and rust protection
- 2) Designed for New Construction installation
- 3) Housing can be installed in 1/2" to 1-3/8" thick ceilings.

Hanger Bar

- 1) Allow housing to be positioned and locked at any point within a 24" joist span.
- 2) Can be shortened for 12" joists
- 3) Can be positioned on long or short axis of the housing
- 4) Contain integral nail
- 5) Hanger fit onto T-bar spline for quick alignment

Junction Box

- 1) ETL listed for through branch wiring
- 2) 2 in-2 out or 4 in-4 out J-box for your better choices
- 3) Designed for straight through conduit runs
- 4) 1/2" and 3/4" romex wiring knockouts

Connection

- 1) Polarity-specific EZ-connect system engineered to match with Liteharbor LED Retrofit Downlights.
- 2) Meets strict code requirement where Edison Base Sockets have been banned.

Listing

ETL listed for damp location W/Feed through

For Specific Order Matrix please take our LED Retrofit Downlight Cut Sheet for References.

Other Special requirement please confirm with factory

RECESSED DOWNLIGHT

