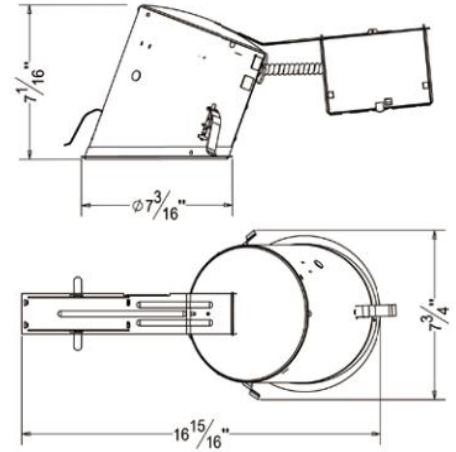


A6-PR
6 inch Remodel Non-IC Slope Recessed Housing

Catalog #		Prepared by	
Project		Date	
Notes			



6 inch Remodel Non-IC Slope Recessed Housing

Housing

- 1) Die-formed aluminum for maximum heat dissipation and rust protection
- 2) Designed for Remodel installation
- 3) Housing can be installed in 1/2" to 1-3/8" thick ceilings.
- 4) Housing is Non-IC rated must be kept at least 3" away from insulation

Junction Box

- 1) ETL listed for through branch wiring
- 2) 4 in-4 out J-box
- 3) Designed for straight through conduit runs
- 4) 1/2" and 3/4" romex wiring knockouts

Lamp

See trim for max. wattage and lamp
 CRI>80%
 PF>0.9
 Color Temperature:2700K-6500K

Listing

ETL listed for damp location W/Feed through

Order Matrix

A	B	C	D	E
----------	----------	----------	----------	----------

Item No.: A6-PR

A Series
A6-PR 6" Remodel NON-IC Slope Housing

B Input Voltage
120V
277/277V

C Lamp
P30 PAR30
R30 R30

D Wattage
L12 LED 12W
L18 LED 18W

RECESSED DOWNLIGHT



Accent Design Concepts

Other Special requirement please confirm with factory

E	Color Temperature
28K	2800k
35K	3500K
50K	5000K
60K	6000K

RECESSED DOWNLIGHT



Accent Design Concepts, LLC.

Orlando, Florida 32824

Email: Sales@accentdesignconcepts.com

Website: www.accentdesignconcepts.com

Specifications subject to change w/o notice

6" TRIM OPTICS



BP6001

6" Slope Trim With Baffle

Lamp: R30/PAR30 LED E26 18W Max.



BP6002

6" Slope Trim With Reflector

Lamp: R30/PAR30 LED E26 18W Max.

RECESSED DOWNLIGHT

