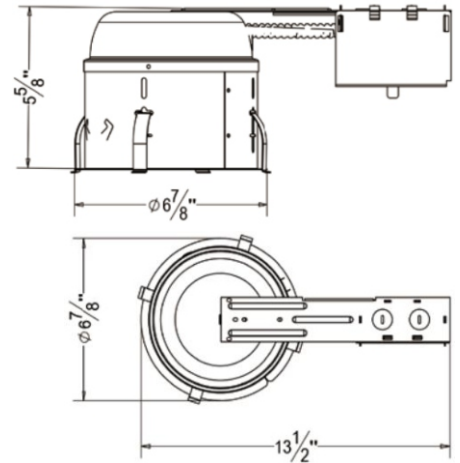


**A6-SR
6 inch Remodel Non-IC Shallow
Recessed Housing**

Catalog #		Prepared by	
Project		Date	
Notes			



6 inch Remodel Non-IC Shallow Recessed Housing

Housing

- 1) Die-formed aluminum for maximum heat dissipation and rust protection
- 2) Designed for Remodel installation
- 3) Housing can be installed in 1/2" to 1-3/8" thick ceilings.
- 4) Housing is Non-IC rated must be kept at least 3" away from insulation

Junction Box

- 1) ETL listed for through branch wiring
- 2) 4 in-4 out J-box
- 3) Designed for straight through conduit runs
- 4) 1/2" and 3/4" romex wiring knockouts

Lamp

See trim for max. wattage and lamp
CRI>80%
PF>0.9
Color Temperature:2700K-6500K

Listing

ETL listed for damp location W/Feed through

Order Matrix

A	B	C	D	E
----------	----------	----------	----------	----------

Item No.: A6-SR

A Series
A6-SR 6" Remodel NON-IC Shallow Housing

B Input Voltage
120V
277 277V

C Lamp
P30 PAR30
P38 PAR38
R30 R30
R40 R40
A19 A19

D Wattage
L12 LED 12W
L18 LED 18W
L24 LED 24W

RECESSED DOWNLIGHT



Other Special requirement please confirm with factory

E	Color Temperature
28K	2800k
35K	3500K
50K	5000K
60K	6000K

RECESSED DOWNLIGHT



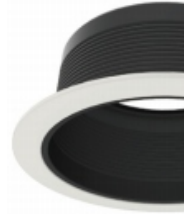
6" TRIM OPTICS



B6001

6" Baffle Trim

Lamp: R30/PAR30 LED E26 18W Max.



B6001L

6" Baffle Trim

Lamp: R40/PAR38 LED E26 24W Max.



B6002

6" Reflector Trim

Lamp: R30/PAR30 LED E26 18W Max.



B6002L

6" Reflector Trim

Lamp: R40/PAR38 LED E26 24W Max.



B6003

6" Eyeball Trim

Lamp: R30/PAR30 LED E26 18W Max.



B6003B

6" Eyeball Baffle Trim

Lamp: R30/PAR30 LED E26 18W Max.



B6007

6" Gimbal Ring Trim

Lamp: R30/PAR30 LED E26 18W Max.



B6007L

6" PAR38 Gimbal Ring Trim

Lamp: R40/PAR38 LED E26 24W Max.



B6011

6" Cone Baffle Trim

Lamp: A19 LED E26 12W Max.



B6012

6" Reflector and Baffle Trim

Lamp: A19 LED E26 12W Max.

RECESSED DOWNLIGHT





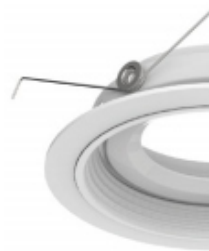
B6012W
6" Full Reflector Trim
Lamp: A19 LED E26 12W Max.



B6013
6" Eyeball and Baffle Trim
Lamp: R30/PAR30 LED E26 18W Max.



B6016
6" Wall Wash Baffle Trim
Lamp: R30/PAR30 LED E26 18W Max.



B6017
6" Gimbal Ring Trim with Baffle
Lamp: R30/PAR30 LED E26 18W Max.



B6017L
6" Adjustable Gimbal Trim with Baffle
Lamp: R40/PAR38 LED E26 24W Max.



B6021
6" PAR30 Baffle Trim
Lamp: R30/PAR30 LED E26 18W Max.



B6021L
6" PAR38 Baffle Trim
Lamp: R40/PAR38 LED E26 24W Max.



B6022
6" Cone Reflector Trim
Lamp: A19 LED E26 12W Max.



B6026
6" Wall Wash Reflector Trim
Lamp: R30/PAR30 LED E26 18W Max.



B6300
6" Shower Trim with Fresnel Lens
Lamp: A19 LED E26 12W Max.
Gasket used to prevent moisture
Wet location listed

RECESSED DOWNLIGHT





B6400

6" Shower Trim with Albalite Lens

Lamp: A19 LED E26 12W Max.

Gasket used to prevent moisture
Wet location listed



B6500

6" Shower Trim with Drop Opal Lamp

Lamp: A19 LED E26 12W Max.

Gasket used to prevent moisture
Wet location listed



B6700

6" Shower Trim with Centre Frosted Lens

Lamp: A19 LED E26 12W Max.

Gasket used to prevent moisture
Wet location listed



B6800

6" Shower with Frosted Lens

Lamp: A19 LED E26 12W Max.

Gasket used to prevent moisture
Wet location listed

