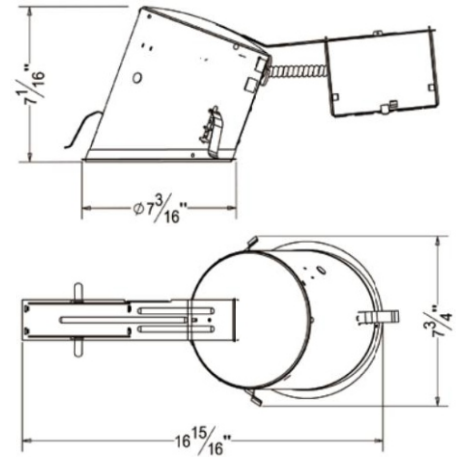


**A6-PRIA
6 inch Remodel IC Airtight Slope
Recessed Housing**

Catalog #		Prepared by	
Project		Date	
Notes			



6 inch Remodel IC Airtight Slope Recessed Housing

Housing

- 1) Die-formed aluminum for maximum heat dissipation and rust protection
- 2) Designed for Remodel installation
- 3) Housing can be installed in 1/2" to 1-3/8" thick ceilings.

Junction Box

- 1) ETL listed for through branch wiring
- 2) 4 in-4 out J-box
- 3) Designed for straight through conduit runs
- 4) 1/2" and 3/4" romex wiring knockouts

Lamp

See trim for max. wattage and lamp
 CRI>80%
 PF>0.9
 Color Temperature:2700K-6500K

Listing

ETL listed for damp location W/Feed through

Order Matrix

A B C D E

Item No.:A6-PRIA				
-------------------------	--	--	--	--

A	Series
A6-PRIA	6" Remodel IC Airtight Slope Housing

B	Input Voltage
277	120V 277V

C	Lamp
R30	PAR30 R30

D	Wattage
L18	LED 12W LED 18W

RECESSED DOWNLIGHT



Accent Design Concepts

Other Special requirement please confirm with factory

E	Color Temperature
28K	2800k
35K	3500K
50K	5000K
60K	6000K

RECESSED DOWNLIGHT



Accent Design Concepts, LLC.

Orlando, Florida 32824

Email: Sales@accentdesignconcepts.com

Website: www.accentdesignconcepts.com

Specifications subject to change w/o notice

6" TRIM OPTICS



BP6001

6" Slope Trim With Baffle

Lamp: R30/PAR30 LED E26 18W Max.



BP6002

6" Slope Trim With Reflector

Lamp: R30/PAR30 LED E26 18W Max.

RECESSED DOWNLIGHT

