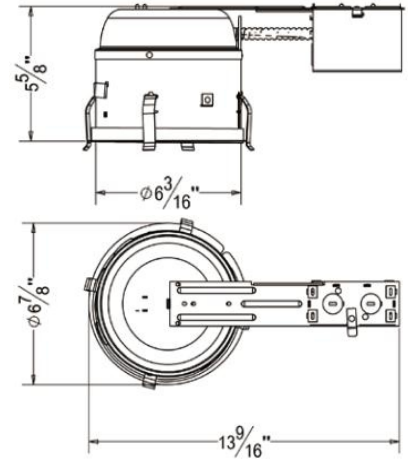


A6-SRIA
6 inch Remodel IC Airtight Shallow Recessed Housing

| | | | |
|------------------|--|--------------------|--|
| Catalog # | | Prepared by | |
| Project | | Date | |
| Notes | | | |



6 inch Remodel IC Airtight Shallow Recessed Housing

Housing

- 1) Die-formed aluminum for maximum heat dissipation and rust protection
- 2) Designed for Remodel installation
- 3) Housing can be installed in 1/2" to 1-3/8" thick ceilings.

Junction Box

- 1) ETL listed for through branch wiring
- 2) 4 in-4 out J-box
- 3) Designed for straight through conduit runs
- 4) 1/2" and 3/4" romex wiring knockouts

Lamp

See trim for max. wattage and lamp
 CRI>80%
 PF>0.9
 Color Temperature:2700K-6500K

Listing

ETL listed for damp location W/Feed through

Order Matrix

A B C D E

| |
|--------------------------|
| Item No.: A6-SRIA |
|--------------------------|

| | |
|---------|--|
| A | Series |
| A6-SRIA | 6" Remodel IC Airtight Shallow Housing |

| | |
|-----|---------------|
| B | Input Voltage |
| | 120V |
| 277 | 277V |

| | |
|-----|-------|
| C | Lamp |
| P30 | PAR30 |
| P38 | PAR38 |
| R30 | R30 |
| R40 | R40 |
| A19 | A19 |

| | |
|-----|---------|
| D | Wattage |
| L12 | LED 12W |
| L18 | LED 18W |
| L24 | LED 24W |

RECESSED DOWNLIGHT



Other Special requirement please confirm with factory

| E | Color Temperature |
|-----|-------------------|
| 28K | 2800k |
| 35K | 3500K |
| 50K | 5000K |
| 60K | 6000K |

RECESSED DOWNLIGHT



6" TRIM OPTICS



B6001

6" Baffle Trim

Lamp: R30/PAR30 LED E26 18W Max.



B6001L

6" Baffle Trim

Lamp: R40/PAR38 LED E26 24W Max.



B6002

6" Reflector Trim

Lamp: R30/PAR30 LED E26 18W Max.



B6002L

6" Reflector Trim

Lamp: R40/PAR38 LED E26 24W Max.



B6003

6" Eyeball Trim

Lamp: R30/PAR30 LED E26 18W Max.



B6003B

6" Eyeball Baffle Trim

Lamp: R30/PAR30 LED E26 18W Max.



B6007

6" Gimbal Ring Trim

Lamp: R30/PAR30 LED E26 18W Max.



B6007L

6" PAR38 Gimbal Ring Trim

Lamp: R40/PAR38 LED E26 24W Max.



B6011

6" Cone Baffle Trim

Lamp: A19 LED E26 12W Max.



B6012

6" Reflector and Baffle Trim

Lamp: A19 LED E26 12W Max.

RECESSED DOWNLIGHT





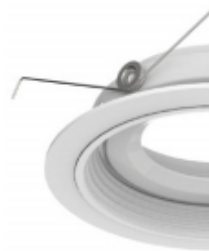
B6012W
6" Full Reflector Trim
Lamp: A19 LED E26 12W Max.



B6013
6" Eyeball and Baffle Trim
Lamp: R30/PAR30 LED E26 18W Max.



B6016
6" Wall Wash Baffle Trim
Lamp: R30/PAR30 LED E26 18W Max.



B6017
6" Gimbal Ring Trim with Baffle
Lamp: R30/PAR30 LED E26 18W Max.



B6017L
6" Adjustable Gimbal Trim with Baffle
Lamp: R40/PAR38 LED E26 24W Max.



B6021
6" PAR30 Baffle Trim
Lamp: R30/PAR30 LED E26 18W Max.



B6021L
6" PAR38 Baffle Trim
Lamp: R40/PAR38 LED E26 24W Max.



B6022
6" Cone Reflector Trim
Lamp: A19 LED E26 12W Max.



B6026
6" Wall Wash Reflector Trim
Lamp: R30/PAR30 LED E26 18W Max.



B6300
6" Shower Trim with Fresnel Lens
Lamp: A19 LED E26 12W Max.
Gasket used to prevent moisture
Wet location listed

RECESSED DOWNLIGHT





B6400

6" Shower Trim with Albalite Lens

Lamp: A19 LED E26 12W Max.

Gasket used to prevent moisture
Wet location listed



B6500

6" Shower Trim with Drop Opal Lamp

Lamp: A19 LED E26 12W Max.

Gasket used to prevent moisture
Wet location listed



B6700

6" Shower Trim with Centre Frosted Lens

Lamp: A19 LED E26 12W Max.

Gasket used to prevent moisture
Wet location listed



B6800

6" Shower with Frosted Lens

Lamp: A19 LED E26 12W Max.

Gasket used to prevent moisture
Wet location listed

