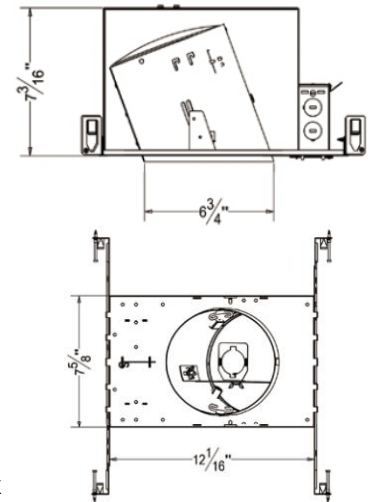


A6-PIA
6 inch New Construction IC Airtight Slope Recessed Housing

| | | | |
|------------------|--|--------------------|--|
| Catalog # | | Prepared by | |
| Project | | Date | |
| Notes | | | |



6 inch New Construction IC Airtight Slope Recessed Housing

Order Matrix

A B C D E

| | |
|------------------------|--|
| Item No.:A6-PIA | |
|------------------------|--|

Housing

- 1) Die-formed aluminum for maximum heat dissipation and rust protection
- 2) Designed for New Construction installation
- 3) Housing can be installed in 1/2" to 1-3/8" thick ceilings.

Hanger Bar

- 1) Allow housing to be positioned and locked at any point within a 24" joist span.
- 2) Can be shortened for 12" joists
- 3) Can be positioned on long or short axis of the housing
- 4) Contain integral nail
- 5) Hanger fit onto T-bar spline for quick alignment

Junction Box

- 1) ETL listed for through branch wiring
- 2) 4 in-4 out J-box
- 3) Designed for straight through conduit runs
- 4) 1/2" and 3/4" romex wiring knockouts

| |
|--|
| A Series |
| A6-PIA 6" New Construction IC Airtight Slope Housing |

| |
|------------------------|
| B Input Voltage |
| 120V |
| 277 277V |

| |
|---------------|
| C Lamp |
| P30 PAR30 |
| R30 R30 |

| |
|------------------|
| D Wattage |
| L12 LED 12W |
| L18 LED 18W |

RECESSED DOWNLIGHT



Lamp & Socket

See Trim for max. wattage and lamp

CRI>80%

PF>0.9

Color Temperature:2800K-6500K

| E | Color Temperature |
|-----|-------------------|
| 28K | 2800k |
| 35K | 3500K |
| 50K | 5000K |
| 60K | 6000K |

Listing

ETL listed for damp location W/Feed through

Other Special requirement please confirm with factory

RECESSED DOWNLIGHT



Accent Design Concepts, LLC.

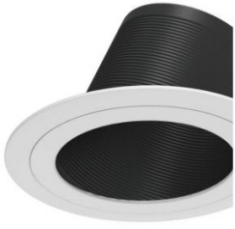
Orlando, Florida 32824

Email: Sales@accentdesignconcepts.com

Website: www.accentdesignconcepts.com

Specifications subject to change w/o notice

6" SLOPE TRIM OPTICS



BP6001
6" Slope Trim With Baffle
Lamp: R30/PAR30 LED E26 18W Max.



BP6002
6" Slope Trim With Reflector
Lamp: R30/PAR30 LED E26 18W Max.

RECESSED DOWNLIGHT

