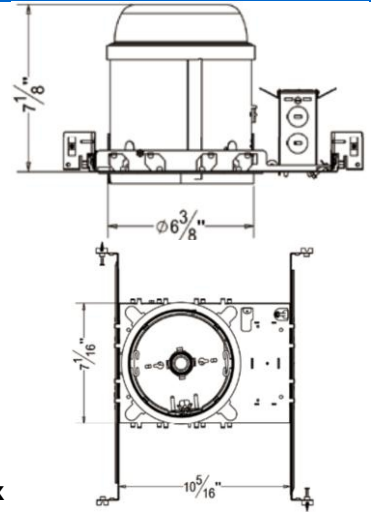


**A6-IA**  
**6 inch New Construction IC Airtight Recessed Housing**

<b>Catalog #</b>		<b>Prepared by</b>	
<b>Project</b>		<b>Date</b>	
<b>Notes</b>			



**6 inch New Construction IC Airtight Recessed Housing**

**Housing**

- 1) Die-formed aluminum for maximum heat dissipation and rust protection
- 2) Designed for New Construction installation
- 3) Housing can be installed in 1/2" to 1-3/8" thick ceilings.

**Hanger Bar**

- 1) Allow housing to be positioned and locked at any point within a 24" joist span.
- 2) Can be shortened for 12" joists
- 3) Can be positioned on long or short axis of the housing
- 4) Contain integral nail
- 5) Hanger fit onto T-bar spline for quick alignment

**Junction Box**

- 1) ETL listed for through branch wiring
- 2) 4 in-4 out J-box
- 3) Designed for straight through conduit runs
- 4) 1/2" and 3/4" romex wiring knockouts

**Order Matrix**

<b>A</b>	<b>B</b>	<b>C</b>	<b>D</b>	<b>E</b>
----------	----------	----------	----------	----------

<b>Item No.:</b> A6-IA
------------------------

<b>A</b> Series
A6-IA 6"/ New Construction IC Airtight Housing

<b>B</b> Input Voltage
120V
277/277V

<b>C</b> Lamp
P30 PAR30
P38 PAR38
R30 R30
R40 R40
A19 A19

<b>D</b> Wattage
L12 LED 12W
L18 LED 18W

RECESSED DOWNLIGHT



## Lamp & Socket

See Trim for max. wattage and lamp

CRI>80%

PF>0.9

Color Temperature:2800K-6500K

E	Color Temperature
28K	2800k
35K	3500K
50K	5000K
60K	6000K

## Listing

ETL listed for damp location W/Feed through

Other Special requirement please confirm with factory

RECESSED DOWNLIGHT



**6" TRIM OPTICS**



**B6001**  
**6" Baffle Trim**  
**Lamp:** R30/PAR30 LED E26 18W Max.



**B6001L**  
**6" Baffle Trim**  
**Lamp:** R40/PAR38 LED E26 24W Max.



**B6002**  
**6" Reflector Trim**  
**Lamp:** R30/PAR30 LED E26 18W Max.



**B6002L**  
**6" Reflector Trim**  
**Lamp:** R40/PAR38 LED E26 24W Max.



**B6003**  
**6" Eyeball Trim**  
**Lamp:** R30/PAR30 LED E26 18W Max.



**B6003B**  
**6" Eyeball Baffle Trim**  
**Lamp:** R30/PAR30 LED E26 18W Max.



**B6007**  
**6" Gimbal Ring Trim**  
**Lamp:** R30/PAR30 LED E26 18W Max.



**B6007L**  
**6" PAR38 Gimbal Ring Trim**  
**Lamp:** R40/PAR38 LED E26 24W Max.



**B6012**  
**6" Reflector and Baffle Trim**  
**Lamp:** A19 LED E26 12W Max.



RECESSED DOWNLIGHT





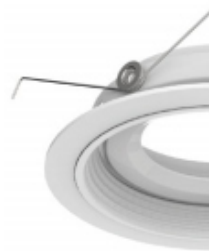
**B6012W**  
**6" Full Reflector Trim**  
**Lamp:** A19 LED E26 12W Max.



**B6013**  
**6" Eyeball and Baffle Trim**  
**Lamp:** R30/PAR30 LED E26 18W Max.



**B6016**  
**6" Wall Wash Baffle Trim**  
**Lamp:** R30/PAR30 LED E26 18W Max.



**B6017**  
**6" Gimbal Ring Trim with Baffle**  
**Lamp:** R30/PAR30 LED E26 18W Max.



**B6017L**  
**6" Adjustable Gimbal Trim with Baffle**  
**Lamp:** R40/PAR38 LED E26 24W Max.



**B6021**  
**6" PAR30 Baffle Trim**  
**Lamp:** R30/PAR30 LED E26 18W Max.



**B6021L**  
**6" PAR38 Baffle Trim**  
**Lamp:** R40/PAR38 LED E26 24W Max.



**B6022**  
**6" Cone Reflector Trim**  
**Lamp:** A19 LED E26 12W Max.



**B6300**  
**6" Shower Trim with Fresnel Lens**  
**Lamp:** A19 LED E26 12W Max.  
Gasket used to prevent moisture  
Wet location listed



RECESSED DOWNLIGHT





## B6400

### 6" Shower Trim with Albalite Lens

**Lamp:** A19 LED E26 12W Max.

Gasket used to prevent moisture  
Wet location listed



## B6500

### 6" Shower Trim with Drop Opal

**Lamp:** A19 LED E26 12W Max.

Gasket used to prevent moisture  
Wet location listed



## B6700

### 6" Shower Trim with Centre Frosted Lens

**Lamp:** A19 LED E26 12W Max.

Gasket used to prevent moisture  
Wet location listed



## B6800

### 6" Shower with Frosted Lens

**Lamp:** A19 LED E26 12W Max.

Gasket used to prevent moisture  
Wet location listed

