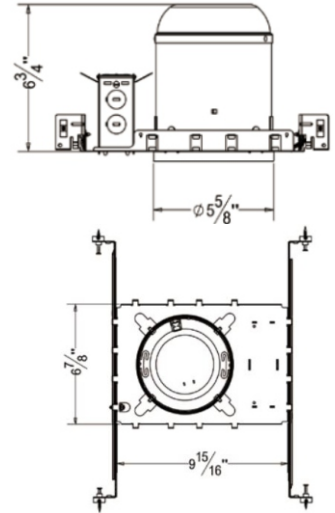


**A5-IA**  
**5 inch New Construction IC Airtight Recessed Housing**

<b>Catalog #</b>		<b>Prepared by</b>	
<b>Project</b>		<b>Date</b>	
<b>Notes</b>			



**5 inch New Construction IC Airtight Recessed Housing**

**Housing**

- 1) Die-formed aluminum for maximum heat dissipation and rust protection
- 2) Designed for New Construction installation
- 3) Housing can be installed in 1/2" to 1-3/8" thick ceilings.

**Hanger Bar**

- 1) Allow housing to be positioned and locked at any point within a 24" joist span.
- 2) Can be shortened for 12" joists
- 3) Can be positioned on long or short axis of the housing
- 4) Contain integral nail
- 5) Hanger fit onto T-bar spline for quick alignment

**Junction Box**

- 1) ETL listed for through branch wiring
- 2) 4 in-4 out J-box
- 3) Designed for straight through conduit runs
- 4) 1/2" and 3/4" romex wiring knockouts

**Order Matrix**

**A**    **B**    **C**    **D**    **E**

<b>Item No.:A5-IA</b>				
-----------------------	--	--	--	--

<b>A</b>	Series
A5-IA	5"/ New Construction IC Airtight Housing

<b>B</b>	Input Voltage
120V	
277	277V

<b>C</b>	Lamp
P30	PAR30
R30	R30
A19	A19

<b>D</b>	Wattage
L12	LED 12W
L18	LED 18W

RECESSED DOWNLIGHT



**Lamp & Socket**

See Trim for max. wattage and lamp

CRI>80%

PF>0.9

Color Temperature:2800K-6500K

E	Color Temperature
28K	2800k
35K	3500K
50K	5000K
60K	6000K

**Listing**

ETL listed for damp location W/Feed through

Other Special requirement please confirm with factory

RECESSED DOWNLIGHT



**5" TRIM OPTICS**



**B5001**  
**5" Baffle Trim**  
Lamp: R30/PAR30 LED E26 18W Max.



**B5002**  
**5" Reflector Trim**  
Lamp: R30/PAR30 LED E26 18W Max.



**B5003**  
**5" Eyeball Trim**  
Lamp: R30/PAR30 LED E26 18W Max.



**B5003L**  
**5" Large Eyeball Trim**  
Lamp: R30/PAR30 LED E26 18W Max.



**B5007**  
**5" Gimbal Ring Trim**  
Lamp: R30/PAR30 LED E26 18W Max.



**B5011**  
**5" Cone Baffle Trim**  
Lamp: A19 LED E26 12W Max.



**B5011K**  
**5" Baffle Trim**  
Lamp: R30/PAR30 LED E26 18W Max.



**B5021**  
**5" Clear Reflector Trim with Baffle**  
Lamp: A19 LED E26 12W Max.



**B5022**  
**5" Cone Reflector Trim**  
Lamp: A19 LED E26 12W Max.



**B5300**  
**5" Shower Trim with Fresnel Lens**  
Lamp: A19 LED E26 12W Max.  
Gasket used to prevent moisture  
Wet location listed

RECESSED DOWNLIGHT





## B5400

### 5" Shower Trim with Albalite lens

**Lamp:** A19 LED E26 12W Max.

Gasket used to prevent moisture

Wet location listed



## B5500

### 5" Shower Trim with Drop Opal

**Lamp:** A19 LED E26 12W Max.

Gasket used to prevent moisture

Wet location listed



## B5602

### 5" Shower Trim with Dome Lens

**Lamp:** A19 LED E26 12W Max.

Gasket used to prevent moisture

Wet location listed



## B5700

### 5" Shower Trim with Centre Frosted Lens

**Lamp:** A19 LED E26 12W Max.

Gasket used to prevent moisture

Wet location listed



## B5800

### 5" Shower Trim with Frosted Lens

**Lamp:** A19 LED E26 12W Max.

Gasket used to prevent moisture

Wet location listed

RECESSED DOWNLIGHT

