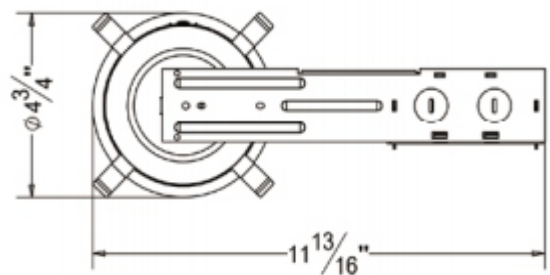
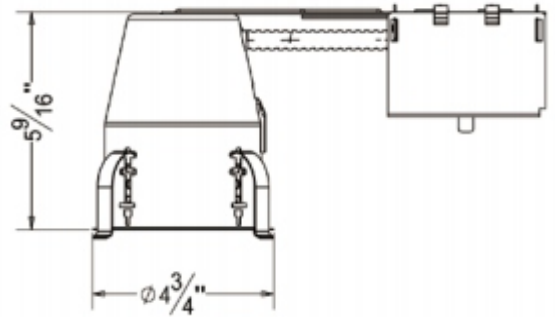
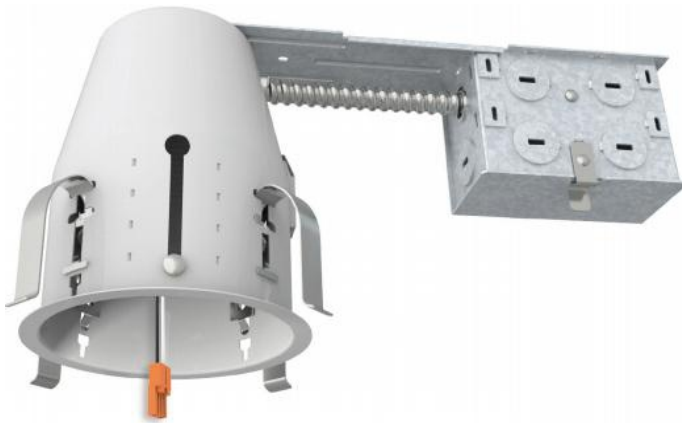


**A4-LRA  
4 inch Remodel Non-IC LED Housing**

<b>Catalog #</b>		<b>Prepared by</b>	
<b>Project</b>		<b>Date</b>	
<b>Notes</b>			



RECESSED DOWNLIGHT

**4 inch Remodel Non-IC LED Housing**

**Housing**

- 1) Die-formed aluminum for maximum heat dissipation and rust protection
- 2) Designed for New Construction installation
- 3) Housing can be installed in 1/2" to 1-3/8" thick ceilings.

**Junction Box**

- 1) ETL listed for through branch wiring
- 2) 2 in-2 out or 4 in-4 out J-box for your better choices
- 3) Designed for straight through conduit runs
- 4) 1/2" and 3/4" romex wiring knockouts

**Connection**

- 1) Polarity-specific EZ-connect system engineered to match with Liteharbor LED Retrofit Downlights.
- 2) Meets strict code requirement where Edison Base Sockets have been banned.

**Listing**

ETL listed for damp location W/Feed through

**For Specific Order Matrix please take our LED Retrofit Downlight Cut Sheet for References.**

Other Special requirement please confirm with factory

