

A3-RJ
3 inch Remodel LED Housing

Catalog #		Prepared by	
Project		Date	
Notes			



3" Remodel Non-IC Housing

Housing

- 1) Die-formed aluminum for maximum heat dissipation and rust protection
- 2) Designed for remodel installations
- 3) Housing can be installed in 1/2" to 1-3/8" thick ceilings.
- 4) Housing is Non-IC rated must be kept at least 3" away from insulation

Junction Box

- 1) ETL listed for through branch wiring
- 2) 2 in-2 out or 4 in-4 out J-box for your better choices
- 3) Designed for straight through conduit runs
- 4) 1/2" and 3/4" romex wiring knockouts

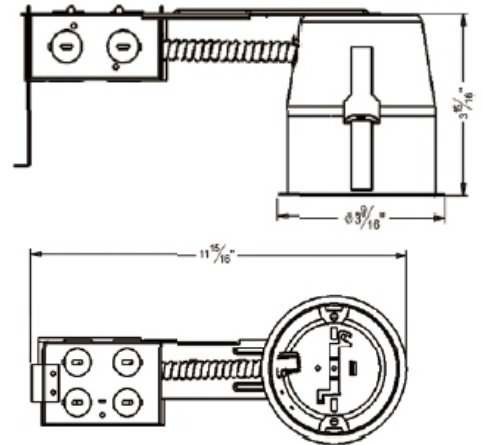
Lamp

LED GU10 Lamp 8W max. MR16 GU5.3 8W Max. PAR16 E26 8W Max.
CRI>80%
PF>0.9
Color Temperature:2800K-6500K

Listing

ETL listed for damp location W/Feed through

Other Special requirement please confirm with factory



Order Matrix

A	B	C	D
----------	----------	----------	----------

Item No.: A3-RJ

A	Series
A3-RJ	3"/Remodel Non-IC Housing

B	Input Voltage
	120V
277	277V

D	Wattage
L3	LED 3W
L8	LED 8W

D	Color Temperature
35K	3500K
50K	5000K
60K	6000K

RECESSED DOWNLIGHT



3" TRIM OPTIONS



B3001/3 inch Baffle Trim

Lamp : MR16 LED GU5.3 8W Max.
GU10 LED GU10 8W Max.
PAR16 LED E26 8W Max.



B3002/3 inch Reflector Trim

Lamp : MR16 LED GU5.3 8W Max.
GU10 LED GU10 8W Max.
PAR16 LED E26 8W Max.



B3006/3 inch Wall Washer Trim

Lamp : MR16 LED GU5.3 8W Max.
GU10 LED GU10 8W Max.
PAR16 LED E26 8W Max.



B3007/3 inch Gimbal Ring Trim

Lamp : MR16 LED GU5.3 8W Max.
GU10 LED GU10 8W Max.
PAR16 LED E26 8W Max.



B3008/3 inch Gimbal Trim

Lamp : MR16 LED GU5.3 8W Max.
GU10 LED GU10 8W Max.
PAR16 LED E26 8W Max.



B3802/3 inch Shower with Frosted Lens

Lamp : MR16 LED GU5.3 6W Max.
GU10 LED GU10 6W Max.
PAR16 LED E26 6W Max.

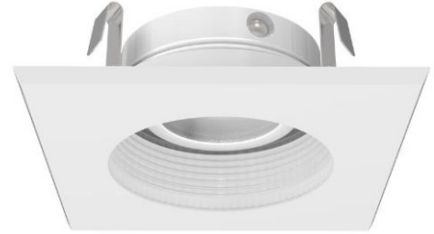
RECESSED DOWNLIGHT





B3011/3 inch Square Trim

Lamp : MR16 LED GU5.3 8W Max.
GU10 LED GU10 8W Max.
PAR16 LED E26 8W Max.



BS3001/3 inch Square Baffle Trim

Lamp : MR16 LED GU5.3 8W Max.
GU10 LED GU10 8W Max.
PAR16 LED E26 8W Max.



BS3002/3 inch Square Reflector Trim

Lamp : MR16 LED GU5.3 8W Max.
GU10 LED GU10 8W Max.
PAR16 LED E26 8W Max.



BS3007/3 inch Square Gimbal Trim

Lamp : MR16 LED GU5.3 8W Max.
GU10 LED GU10 8W Max.
PAR16 LED E26 8W Max.

RECESSED DOWNLIGHT

