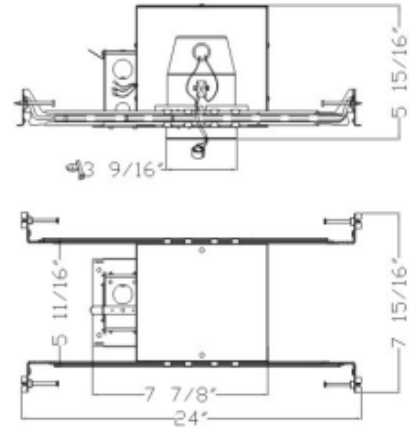
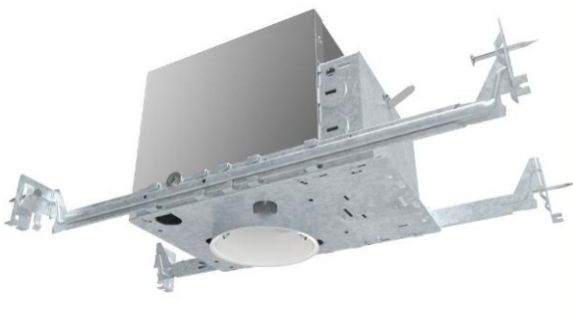


A3-IA
3 inch IC Airtight Recessed Light

Catalog #		Prepared by	
Project		Date	
Notes			



3" New Construction IC Airtight Housing

Housing

- 1) Die-formed aluminum for maximum heat dissipation and rust protection
- 2) Designed for New Construction installation
- 3) Housing can be installed in 1/2" to 1-3/8" thick ceilings.

Hanger Bar

- 1) Allow housing to be positioned and locked at any point within a 24" joist span.
- 2) Can be shortened for 12" joists
- 3) Can be positioned on long or short axis of the housing
- 4) Contain integral nail
- 5) Hanger fit onto T-bar spline for quick alignment

Junction Box

- 1) ETL listed for through branch wiring
- 2) 2 in-2 out or 4 in-4 out J-box for your better choices
- 3) Designed for straight through conduit runs
- 4) 1/2" and 3/4" romex wiring knockouts
- 5) Pre-wired junction box provided with removable access plate
- 6) Knockouts equipped with pry out slots
- 7) All leads are #18AWG wire, ground wire is connected supplied on all leads to the bottom, quick connectors are supplied on all leads

Order Matrix

A	B	C	D	E
----------	----------	----------	----------	----------

Item No.:	A3-IA
------------------	--------------

A	Series
A3-IA	3"New Construction IC Airtight

B	J-BOX
C	4 in-4 out
C	2 in-2 out

C	Input Voltage
	120V
	277/277V

D	Wattage
L3	LED 3W
L8	LED 8W

LINE VOLTAGE RECESSED LIGHT



Lamp

	E	Color Temperature
LED GU10 Lamp 8W max. MR16 GU5.3 8W Max. PAR16 E26 8W Max.	28K	2800k
CRI>80%	35K	3500K
PF>0.9	50K	5000K
Color Temperature:2800K-6500K	60K	6000K

Listing

ETL listed for damp location W/Feed through

Other Special requirement please confirm with factory

LINE VOLTAGE RECESSED LIGHT



3" TRIM OPTIONS



B3001/3 inch Baffle Trim

Lamp : MR16 LED GU5.3 8W Max.
GU10 LED GU10 8W Max.
PAR16 LED E26 8W Max.



B3002/3 inch Reflector Trim

Lamp : MR16 LED GU5.3 8W Max.
GU10 LED GU10 8W Max.
PAR16 LED E26 8W Max.



B3006/3 inch Wall Washer Trim

Lamp : MR16 LED GU5.3 8W Max.
GU10 LED GU10 8W Max.
PAR16 LED E26 8W Max.



B3007/3 inch Gimbal Ring Trim

Lamp : MR16 LED GU5.3 8W Max.
GU10 LED GU10 8W Max.
PAR16 LED E26 8W Max.



B3008/3 inch Gimbal Trim

Lamp : MR16 LED GU5.3 8W Max.
GU10 LED GU10 8W Max.
PAR16 LED E26 8W Max.



B3802/3 inch Shower with Frosted Lens

Lamp : MR16 LED GU5.3 6W Max.
GU10 LED GU10 6W Max.
PAR16 LED E26 6W Max.

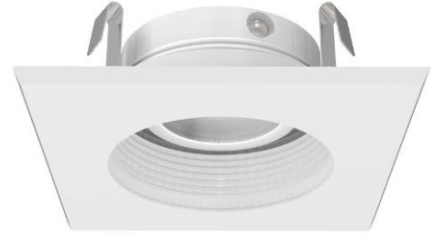
LINE VOLTAGE RECESSED LIGHT





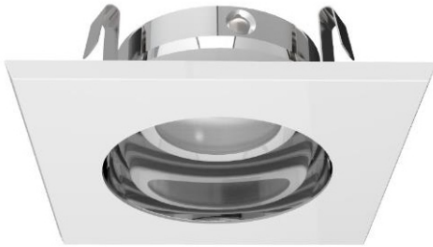
B3011/3 inch Square Trim

Lamp : MR16 LED GU5.3 8W Max.
GU10 LED GU10 8W Max.
PAR16 LED E26 8W Max.



BS3001/3 inch Square Baffle Trim

Lamp : MR16 LED GU5.3 8W Max.
GU10 LED GU10 8W Max.
PAR16 LED E26 8W Max.



BS3002/3 inch Square Reflector Trim

Lamp : MR16 LED GU5.3 8W Max.
GU10 LED GU10 8W Max.
PAR16 LED E26 8W Max.



BS3007/3 inch Square Gimbal Trim

Lamp : MR16 LED GU5.3 8W Max.
GU10 LED GU10 8W Max.
PAR16 LED E26 8W Max.

LINE VOLTAGE RECESSED LIGHT

