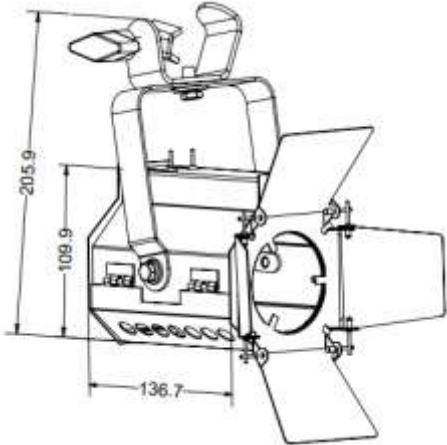




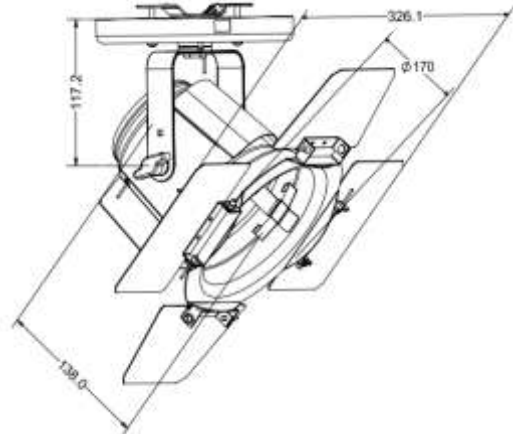
# Accent Design Concepts

## Stage Profile Track Light

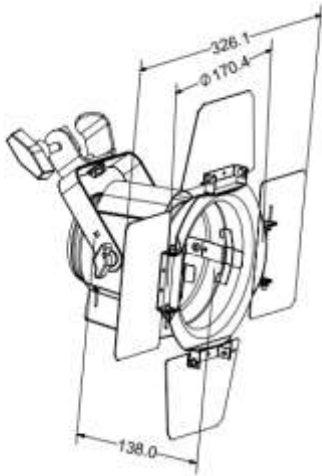
Catalog #		Prepared by	
Project		Date	
Notes			



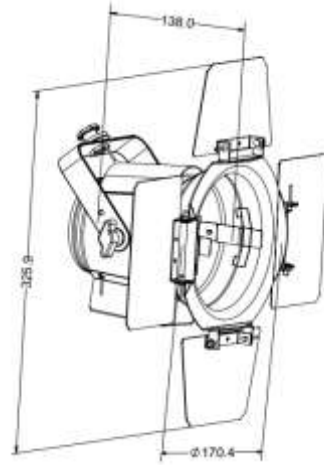
**PR058-AR70-100-CE**



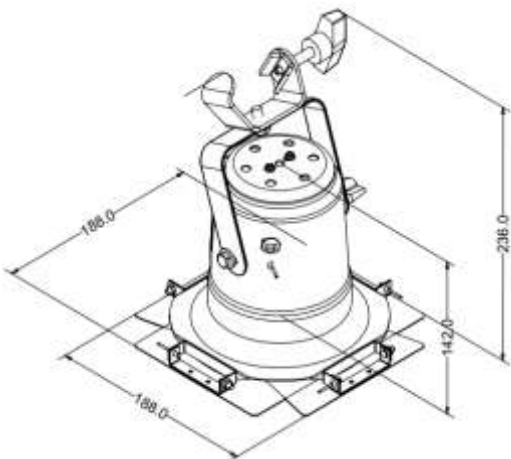
**PR058-AR111-JC-CE**



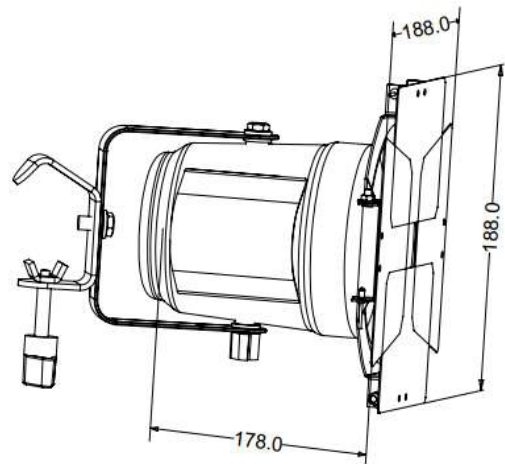
**PR058-AR111-J-CE**



**PR058-J4-CE**



**PR058-PAR30-H-4-CE**



**PR058-PAR30-H**

Stage Profile Light



**Accent Design Concepts, LLC.**  
 Orlando, Florida 32824  
 Email: [Sales@accentdesignconcepts.com](mailto:Sales@accentdesignconcepts.com)

Website: [www.accentdesignconcepts.com](http://www.accentdesignconcepts.com)  
 Specifications subject to change w/o notice



# Accent Design Concepts

## Specifications

3watt \*18 led stage par light

- 1) Voltage: AC 110-260V,50/60Hz
- 2) Power:25W/60w
- 3) led\*18\*1w/3w(R6,G6,B6)
- 4) channel:7CH
- 5) 18\*3wa disco strobe light

## Light source

18\*1w/3w (R6, G6, B6)  
 Power:25W/60w  
 Average life: over 50000 hours

## Features:

Voltage: AC110-260V,50/ 60HZ  
 Size: 20\*19\*15CM  
 Weight: 3.5kg

## Effect:

Color changing, strobe, Dim 0-100%,speed adjustment, etc  
 Built in programs, fade

## Control:

Dmx512/Auto run/Master Slave/Sound activated  
 Dmx channels: 7chs  
 Display Panel

## Construction:

Material: Steel  
 Body color: Optional  
 Protection rate: IP20

## Accessories:

DMX Cable (3-pin or 5-pin) 1pc  
 Power Cable 1pc  
 Mounting stand: double handle  
 Thisight can with barn door

## Packing

68\*61\*31CM 4kg



Stage Profile Light

