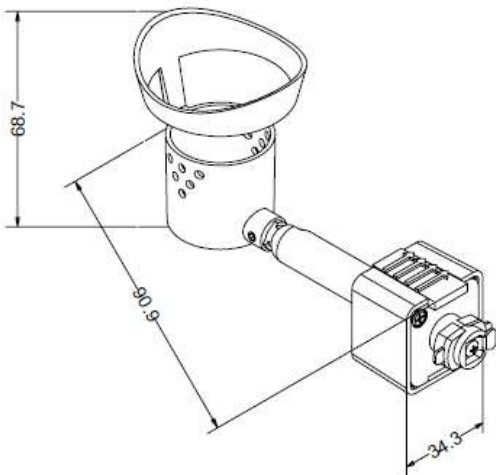


Item No.:K2673

Aluminum Die-casting Track head



Description

Line voltage die cast aluminum fixtures with GU10 lamp. Yoke provides full adjustment of light source for special aiming. Dual tightening knobs assure secure lock on vertical angle position.

Features

- 1) Die cast aluminum rear body provides superior strength and rigidity.
- 2) Low profile, aesthetic design.
- 3) Fully adjustable, firm angle position.
- 4) One or two circuit track capable.

Housing

Die cast aluminum construction; gimbal appearance and design features. All edges are softened for aesthetic appearance. Perforated spherical screen in rear functions as wire outlet and provides additional design benefit.

Socket

E26 Medium Base

Lamp

Item No.:K2673

LED PAR 20 16W Max. / Incandescent Lamp 50W Max.

Finishes

Black, White and Satin Nickel heat rated baked enamel paint. Custom painting or anodizing for special applications is also available. Custom finishes will require lead times that vary depending on vendor schedule. Please consult factory for quotation.

Wiring

Teflon coated wire lead connects socket and housing to electrical contact head. Teflon coating is durable and resists heat degradation from lamp and housing radiation.

Listing

c-UL-us Listed

Warranty

Two Year Limited Warranty