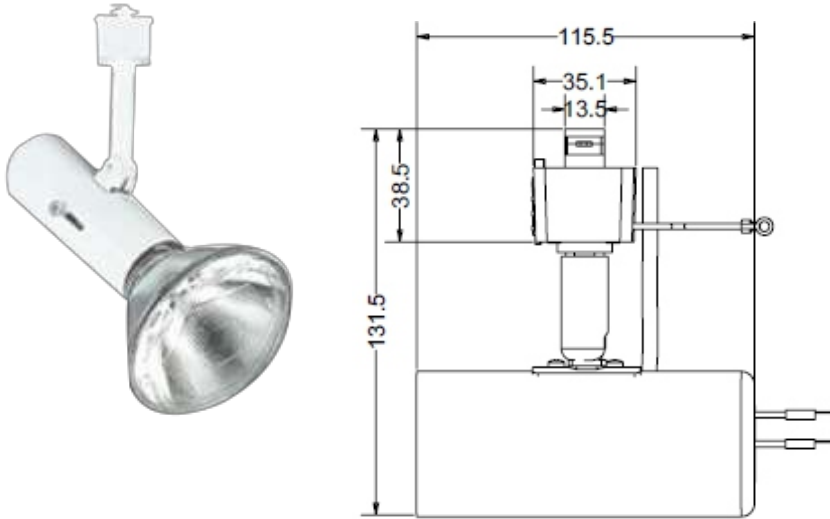


**Line Volt. Swivel Track Light**



**Description**

Line voltage die cast aluminum octagonal designer fixtures with PAR38 light source. Yoke provides full adjustment of light source for special aiming. Dual tightening knobs assure secure lock on vertical angle position.

**Features**

- 1) Die cast aluminum rear body provides superior strength and rigidity.
- 2) Low profile, aesthetic design.
- 3) Fully adjustable, firm angle position.
- 4) One or two circuit track capable.

**Housing**

Iron / die cast aluminum construction; gimbal appearance and design features. All edges are softened for aesthetic appearance. Perforated spherical screen in rear functions as wire outlet and provides additional design benefit.

**Socket**

E26 Medium Base

**Lamp**

LED Lamp 24W, 150W 120V-277V PAR38 Halogen lamp

**Finishes**

Black, White and Satin Nickel heat rated baked enamel paint.

Custom painting or anodizing for special applications is also available. Custom finishes will require lead times that vary depending on vendor schedule. Please consult factory for quotation.

## Item No.:K2643

---

### **Wiring**

Teflon coated wire lead connects socket and housing to electrical contact head. Teflon coating is durable and resists heat degradation from lamp and housing radiation.

### **Listing**

c-UL-us Listed

### **Warranty**

Two Year Limited Warranty