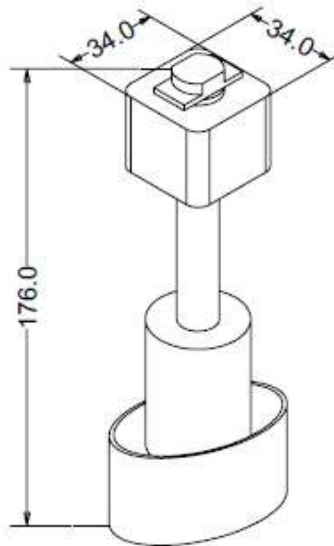

Line Volt. Halogen Track Light



Description

Line voltage die cast aluminum octagonal designer fixtures with GU10 light source. Yoke provides full adjustment of light source for special aiming. Dual tightening knobs assure secure lock on vertical angle position.

Features

- 1) Die cast aluminum rear body provides superior strength and rigidity.
- 2) Low profile, aesthetic design.
- 3) Fully adjustable, firm angle position.
- 4) One or two circuit track capable.

Housing

Iron / die cast aluminum construction; octagonal appearance and design features. All edges are softened for aesthetic appearance. Perforated spherical screen in rear functions as wire outlet and provides additional design benefit.

Socket

GU10

Lamp

50W 120V-277V GU10 Halogen lamp

Finishes

Black, White and Satin Nickel heat rated baked enamel paint.

Custom painting or anodizing for special applications is also available. Custom finishes will require lead times that vary

Item No.:K2513

depending on vendor schedule. Please consult factory for quotation.

Wiring

Teflon coated wire lead connects socket and housing to electrical contact head. Teflon coating is durable and resists heat degradation from lamp and housing radiation.

Listing

c-UL-us Listed

Warranty

Two Year Limited Warranty