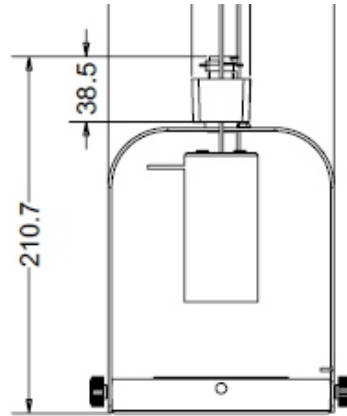

Line Volt. Gimbal Track Head



Description

Line voltage die cast aluminum designer gimbal fixtures with PAR38 light source. Yoke provides full adjustment position of light source for special aiming and dual tightening knobs assure secure lock on angle position.

Features

- 1) Die cast aluminum provides superior strength and rigidity.
- 2) Low profile, aesthetic design.
- 3) Adjustable yoke for custom aiming.
- 4) One or two circuit track capable.

Housing

Iron / die cast aluminum construction; gimbal appearance and design features. All edges are softened for aesthetic appearance.

Yoke

Iron yoke connects fixture housing to electrical contact head. Dual plastic angle tightening knobs maintain clean, decorative appearance of the fixture and provide secure angle position.

Socket

E26 Medium Base

Lamp

LED PAR38 24W Max. / 150W 120-277V PAR38 Halogen Lamp

Finishes

Black, White and Satin Nickel heat rated baked enamel paint.

Item No.:K2053

Custom painting or anodizing for special applications is also available. Custom finishes will require lead times that vary depending on vendor schedule. Please consult factory for quotation.

Wiring

Teflon coated wire lead connects socket and housing to electrical contact head. Teflon coating is durable and resists heat degradation from lamp and housing radiation.

Listing

c-UL-us Listed

Warranty

Two Year Limited Warranty