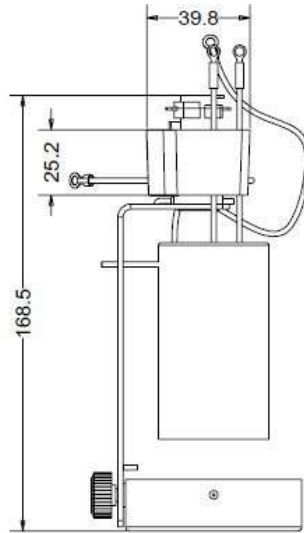


---

**Line Volt. Gimbal Track Head**



**Description**

Line voltage die cast aluminum designer gimbal fixtures with PAR20 light source. Yoke provides full adjustment position of light source for special aiming and dual tightening knobs assure secure lock on angle position.

**Features**

- 1) Die cast aluminum provides superior strength and rigidity.
- 2) Low profile, aesthetic design.
- 3) Adjustable yoke for custom aiming.
- 4) One or two circuit track capable.

**Housing**

Iron / die cast aluminum construction; gimbal appearance and design features. All edges are softened for aesthetic appearance.

**Yoke**

Iron yoke connects fixture housing to electrical contact head. Dual plastic angle tightening knobs maintain clean, decorative appearance of the fixture and provide secure angle position.

**Socket**

E26 Medium Base

**Lamp**

LED PAR20 10W Max. / 50W PAR20 Halogen Lamp 120-277V

**Finishes**

## Item No.:K2013

---

Black, White and Satin Nickel heat rated baked enamel paint.

Custom painting or anodizing for special applications is also available. Custom finishes will require lead times that vary depending on vendor schedule. Please consult factory for quotation.

### **Wiring**

Teflon coated wire lead connects socket and housing to electrical contact head.

Teflon coating is durable and resists heat degradation from lamp and housing radiation

### **Listing**

c-UL-us Listed

### **Warranty**

Two Year Limited Warranty