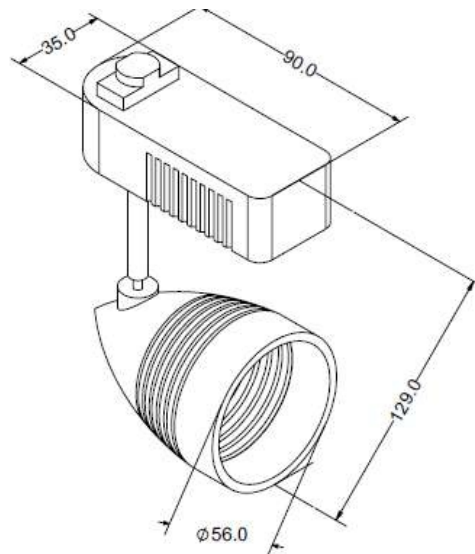


Low Volt. Bullet Track Head



Description

Low voltage die cast aluminum bullet designer fixtures with MR16 light source. Yoke provides full adjustment of light source for special aiming. Dual tightening knobs assure secure lock on vertical angle position.

Features

- 1) Die cast aluminum rear body provides superior strength and rigidity.
- 2) Low profile, aesthetic design.
- 3) Fully adjustable, firm angle position.
- 4) One or two circuit track capable.

Housing

Iron / die cast aluminum construction; bullet appearance and design features. All edges are softened for aesthetic appearance. Perforated spherical screen in rear functions as wire outlet and provides additional design benefit.

Socket

GU5.3 MR16

Lamp

LED MR16 / 50W 12V MR16 Halogen Lamp

Transformer

Solid state electronic transformer provides noise-free voltage reduction and operation. If dimming, use electronic low voltage rated only dimming controls. Integral Unit: 120V/60Hz Input; 12V Output; 50VA Max. load

Item No.: K1533

Finishes

Black, White and Satin Nickel heat rated baked enamel paint.

Custom painting or anodizing for special applications is also available. Custom finishes will require lead times that vary depending on vendor schedule. Please consult factory for quotation.

Wiring

Teflon coated wire lead connects socket and housing to electrical contact head. Teflon coating is durable and resists heat degradation from lamp and housing radiation.

Listing

c-UL-us Listed

Warranty

Two Year Limited Warranty