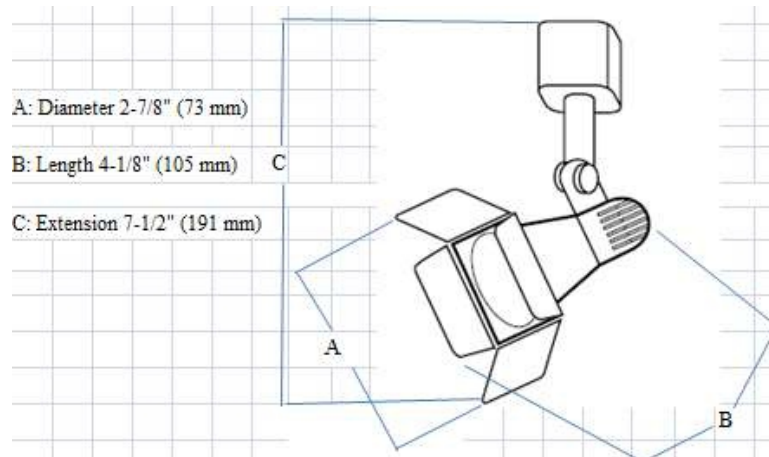


Low Volt. Stage Track Head



Description

Low voltage aluminum designer vented-rear barn door fixtures with MR16 light source. Single stem conceals wiring and provides full adjustment of light source for special aiming. Dual tightening knobs assure secure lock on vertical angle position; internal friction provides secure lateral lamp position.

Features

- 1) Die cast aluminum rear body provides superior strength and rigidity.
- 2) Low profile, aesthetic design.
- 3) Fully adjustable, firm angle position
- 4) One or two circuit track capable.

Housing

Main body consists of .030 drawn aluminum cone terminating at a square front containing hinged barn doors on all four side edges. Small end of cone allows for screw attachment to rear body of fixture. Rear portion of fixture is constructed of .090 die cast aluminum with vented rear providing design feature and heat dissipation and escape.

Socket

GU5.3 MR16

Lamp

50W 12V MR16 Halogen Lamp.

Transformer

Solid state electronic transformer provides noise-free voltage reduction and operation. If dimming, use electronic low voltage rated only dimming controls. Integral Unit: 120V/60Hz Input; 12V Output; 50VA Max. load

Finishes

Item No.:K1033

Black, White and Satin Nickel heat rated baked enamel paint.

Custom painting or anodizing for special applications is also available. Custom finishes will require lead times that vary depending on vendor schedule. Please consult factory for quotation.

Wiring

Teflon coated wire lead connects socket and housing to electrical contact head. Teflon coating is durable and resists heat degradation from lamp and housing radiation.

Listing

c-UL-us Listed

Warranty

Two Year Limited Warranty