

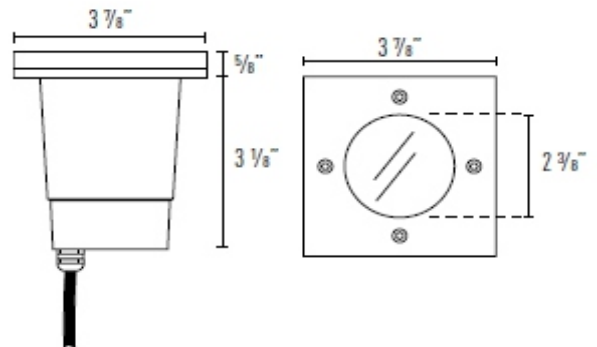
Accent Design Concepts

Y0702 IN-GROUND LIGHT

Catalog #		Prepared by	
Project		Date	
Notes			



IN-GROUND LIGHT



Order Matrix

A B C D E F G

Item No.	
----------	--

A	Series
Y0702	Round LED In-Ground Light

B	Finish
ST6	316 Stainless Steel
ST4	304 Stainless Steel
Cu	Solid Brass

C	Beam Spread
14	14° Beam Spread
26	26° Beam Spread

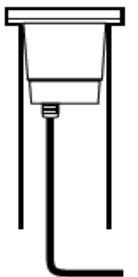
D	Color Temperature
35K	3500K
40K	4000K
60K	6000K

E	Wattage
L3	3W LED
L5	5W LED
H50	50W Halogen

Optional Housing for Direct Burial or Concrete Pour



Y0702H
In-Ground Housing
316 Stainless Steel Collar
For Direct Burial Applications
Height: 6" With Collar



Y0702HLC
Concrete Pour Housing For IVG30/33
316 Stainless Steel Collar
For Concrete Pour Applications
Height: 9 1/4" With Collar

Description:

The Liteharbor stainless steel in-ground series is available in 316 stainless steel or solid brass. The 316 marine grade stainless steel is cold worked and has superior corrosion resistance. Fixture is for use with a remote transformer (not included).

LED Module:

- 3W High Brightness LED
- Color options include neutral white 3500K or cool white 6000K
- Lumen output: 240 initial lumens

IN-GROUND LIGHT



Accent Design Concepts, LLC.
Orlando, Florida 32824
Email: Sales@accentdesignconcepts.com

Website: www.accentdesignconcepts.com
Specifications subject to change w/o notice

Accent Design Concepts

Y0702 IN-GROUND LIGHT

Catalog #		Prepared by	
Project		Date	
Notes			

- Beam Spread: Available in 14° spot or 26°
- Heat sinking: Integral to the fixture
- L70 50,000 hours

Features:

- 10V - 24V inputs
- Aesthetic appearance
- Easy to maintain
- Impact resistant long life Stainless Steel
- Outdoor Applications only
- 10 ft. Cable standard with water proof entry to fixture

F	Accessories
SBL	Sand Blasted Lens

G	Optional Housing
0701H	In-Ground (160mm)
0701HLC	Concrete Pour (230mm)

Other Special Requirements please Confirm with Factory

Transformer:

For use with 12/24V-AC remote transformer. Not included.

Finish:

Marine grade 316 stainless steel. Ideal for applications near the coast and other harsh environments. Stainless steel requires regular cleaning to ensure natural look and prevent tarnishing or tea staining.

Installation:

Fixture is for concrete pour or in-ground applications. Optional housing must be ordered separately.

Listing:

ETL listed for wet locations.



IN-GROUND LIGHT



Accent Design Concepts, LLC.
Orlando, Florida 32824
Email: Sales@accentdesignconcepts.com

Website: www.accentdesignconcepts.com
Specifications subject to change w/o notice