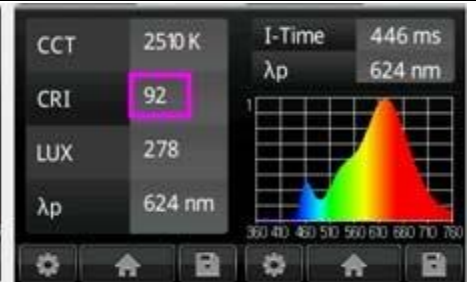
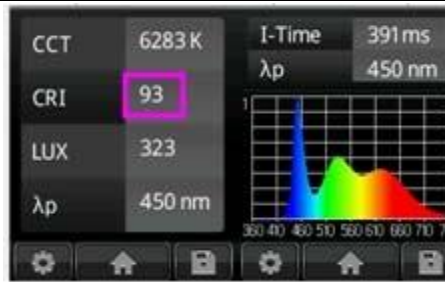


Specification Sheet for SMD 5050 LED Flexible Strips



Applications:

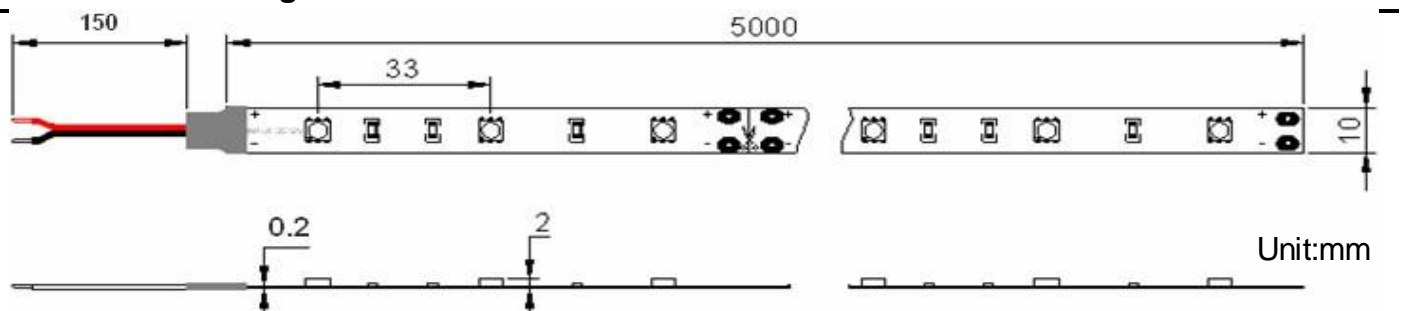
- ◆ Car decoration
- ◆ Architectural decorative lighting
- ◆ Archway, canopy and bridge edge lighting
- ◆ Auditorium walkway lighting
- ◆ Backlighting for signage letters
- ◆ Channel letter lighting



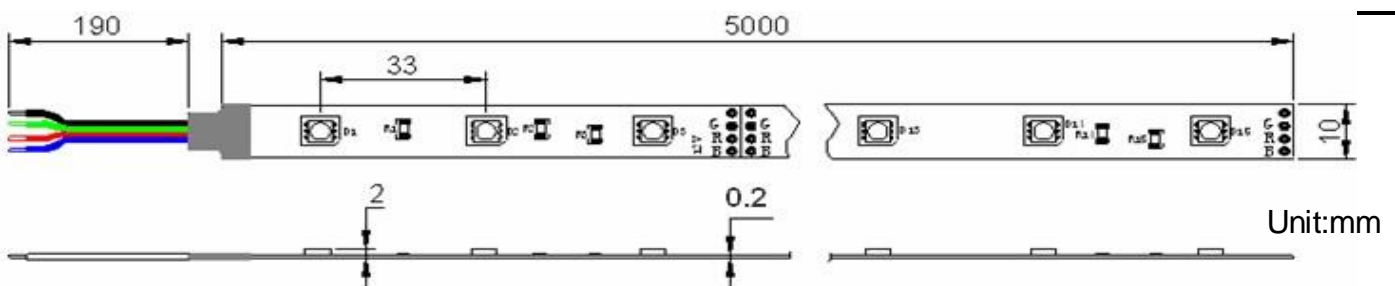
Product features:

- ◆ Various angle 120degrees
- ◆ With self-adhesive tape on backside, 3LEDs a group for DC12V 6LEDs group for DC24V
- ◆ Made of high quality LED
- ◆ Work Voltage: DC12V/DC24V
- ◆ UL, CUL, CE, ROHS Approved

Dimensions for Single Color



Dimensions for RGB



Specifications

Model No.	Color	LED Qty	λ (Nm)/(CT:K)	Luminous Flux	PCB Size mm	Work Voltage	Power	View Angle	Packing
CRI ≥ 90 Version									
F5050X15SA-P-12/24	□ Pure White	30/m	6000-7000K	570-600	10mm	DC12V/24V	7.2W/m	120°	Reel/5m
F5050X15SA-N-12/24	□ Nature White		4000-4500K	540-570					
F5050X15SA-W-12/24	□ Warm White		2500-3500K	500-540					
Normal Version									
F5050X15-P-12/24	□ Pure White	30/m	6000-7000K	570-600	10mm	DC12V/24V	7.2W/m	120°	Reel/5m
F5050X15-N-12/24	□ Nature White		4000-4500K	540-570					
F5050X15-W-12/24	□ Warm White		2200-3500K	500-540					
F5050X15-R-12/24	■ Red		620-630	150-180					
F5050X15-Y-12/24	■ Yellow		585-595	150-180					
F5050X15-B-12/24	■ Blue		455-470	140-160					
F5050X15-G-12/24	■ Green		510-525	350-400					
F5050X15-C-12/24	■ ■ ■ RGB		620-630 510-525 455-470	40-50 100-110 40-50					

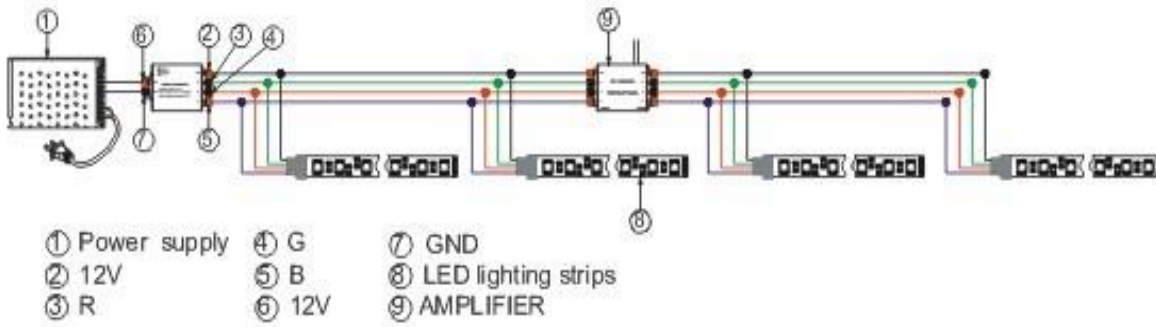
Remark:

X is for Waterproof type. A for IP20 Non-waterproof, B for IP54 (with epoxy glue), S for IP54 (with silicone glue), C for IP67, D for IP68

Connection drawings (Single Color)



Connection RGB Drawing



Notice:

Before application, please make sure the power supply is in accordance to the strips