

## Specification Sheet for RGB Angle Adjustable LED Flexible Strips

### Applications:

- ◆ Car decoration
- ◆ Architectural decorative lighting
- ◆ Archway, canopy and bridge edge lighting
- ◆ Auditorium walkway lighting
- ◆ Backlighting for signage letters
- ◆ Channel letter lighting

### Product features:

- ◆ Various angle 120 degrees
- ◆ With self-adhesive back side, 7LEDs a group
- ◆ Work Voltage: DC24V
- ◆ Angle Adjustable Degree: 180 degree
- ◆ UL, CUL, CE, ROHS Approved



### Dimensions Drawing

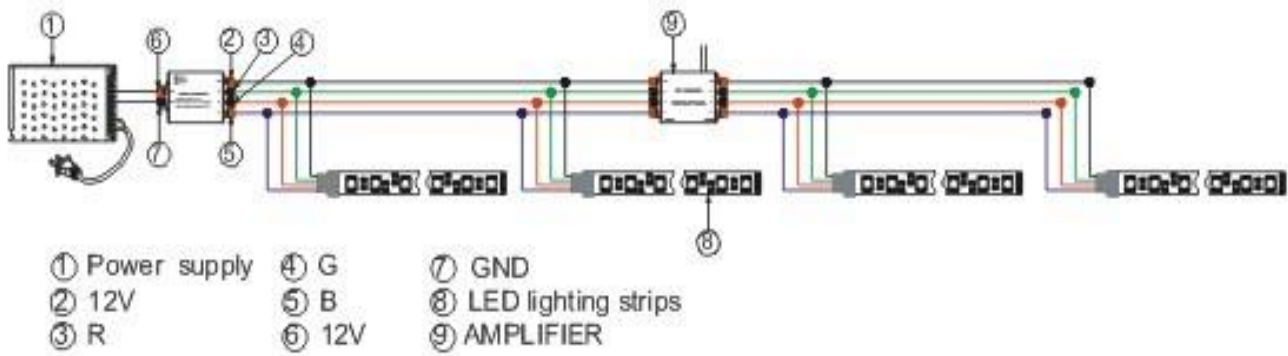


Unit: mm

### Specifications

Model No.	Color	LED Qty	$\lambda$ (Nm)/(CT:K)	Luminous Flux	PCB Size (mm)	Work Voltage	Power	Water proof	Packing
F3535A35-C-24-AG	RGB	70/m	620-630 510-525 455-470	150-160 350-400 100-110	5+8mm	DC24V	14.4W/m	IP20	5m/reel

Connection drawings (RGB)



**Notice:**

Before application, please make sure the power supply is in accordance to the strips

web: [www.qlleds.com](http://www.qlleds.com) e-mail: [sales@qlleds.com](mailto:sales@qlleds.com) Tel: 86-755-29682086 Fax: 86-755-29682109